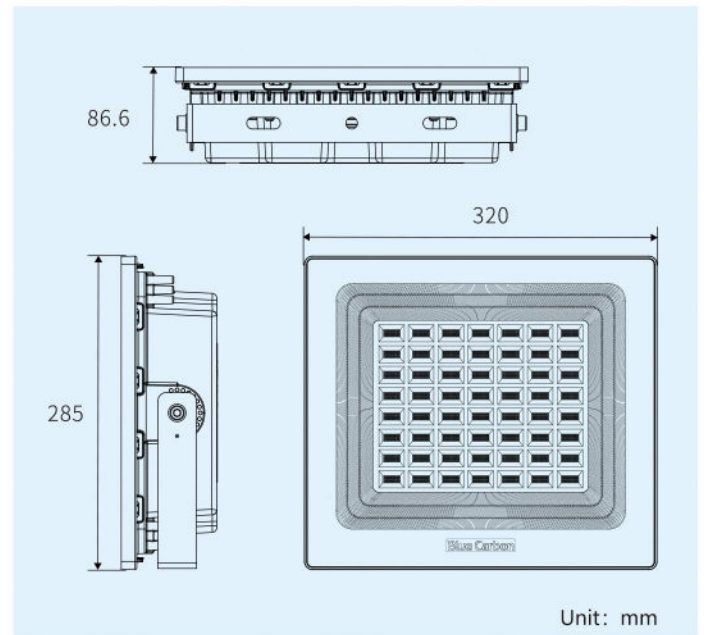


BCT

CE WaWa Light 5.0/6.0



Remote Control



Unit: mm

Product Parameters

Model		BCT-WW5.0	BCT-WW6.0
Solar Panel	Voltage/Power	5V/80W	5V/120W
	Life Span	25 years	25 years
Battery	Voltage/Capacity	3.2V/50Ah LiFePO ₄ battery	3.2V/65Ah LiFePO ₄ battery
	Life Span	8-12 years	8-12 years
Light Source	Luminous Flux	3000lm	5000lm
	Life Span	50,000 hrs	50,000 hrs
Lighting Time		6+X/Intelligent power control, and can use remote control to adjust brightness and working mode.	
Lens		With PC outdoor optical lens, high light transmittance.	
Solar Panel Wire Length		Standard 2.4m; Optional extension line 2m	
Warranty		5 years	
Qty of Package		4pcs	
Package Size		405×350×315mm	

Product Advantage

- Independent R%D, patented products, integrated design, modular production, one-click installation.
- With high efficiency LED, with 50000 hrs life span. With LiFePO₄ battery, high safety, long life span.
- Diamond surface reflection process, reflecting light source, enhancing the brightness of the lighting effectively.
- Widened and thickened bracket, positionable angle, installation stable & firm.
- With PC outdoor optical lens. High light transmittance, high temperature resistance and aging resistance.
- Gold-plated aviation plug, higher transmission speed, more safer.
- Low voltage design, safe and reliable. Integrated package, convenient transportation.

Application place :

It is widely used in home lighting, streets and roads, residential areas, scenic spots, parks, squares, private gardens and other public places, also used for night lighting of advertising board, and construction outdoor lighting, easy to install, energy saving, no need to pay electric fee, longer life span.



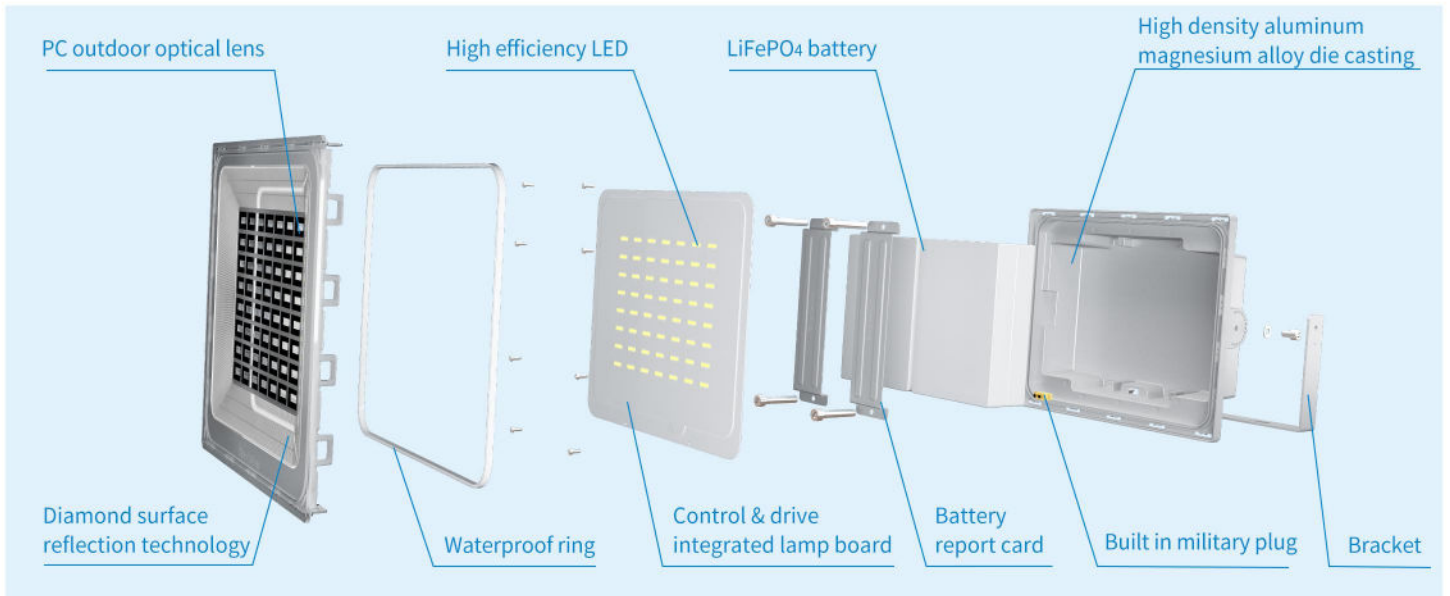
High-efficiency LED lamp beads with stronger concentrating power.

Firmer installation with positionable rotation angle.



- ON key: turn on
- OFF key: turn off
- AUTO key: Reset, 6+X overnight lighting mode
- 6H key: lights off after 6 hours
- 8H key: lights off after 8 hours
- 85% key: reduce 15% power
- 70% key: reduce 30% power





Installation Cases and Applicable Scenarios

